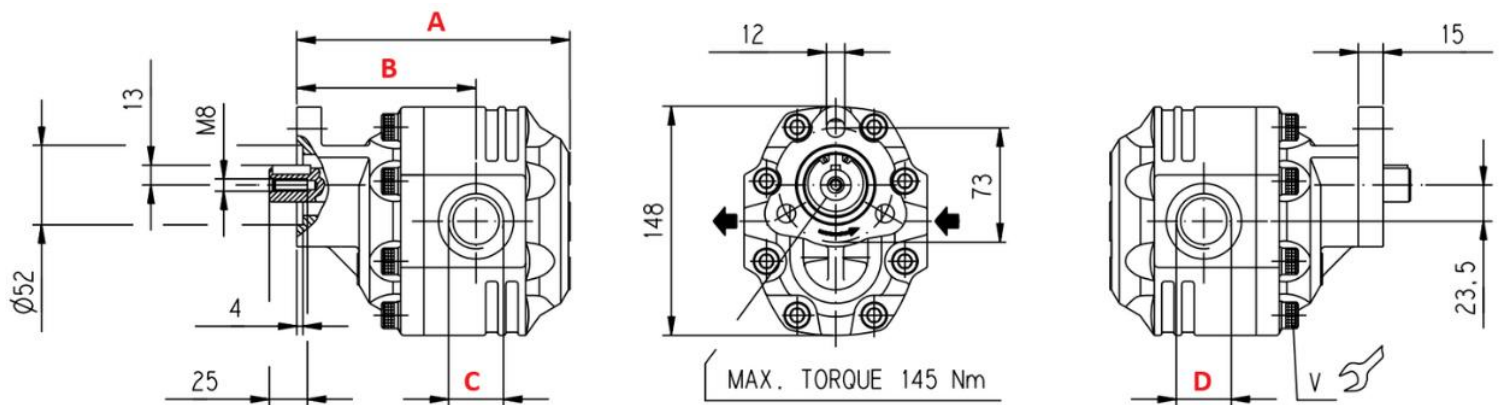


DATASHEET – DIMENSIONS



	CASAPPA			
	40cc	60cc	80cc	100cc
Flow at 540 rpm (l/min)	20	30	40	50
Flow at 1000 rpm (l/min)	40	60	80	100
Max. pressure (bar)	180			
Max. revolutions (rpm)	1800			
Suction thread (inch)				
Pressure thread (inch)	3/4	1		
A (mm)	181	178	191	218
B (mm)	121	116	122	136
Shaft diameter (mm)	22			
Direction of rotation	left / right			
Code	11160	11942	10877	10910